

Coin Acceptor VN-5

Specification and trouble shooting

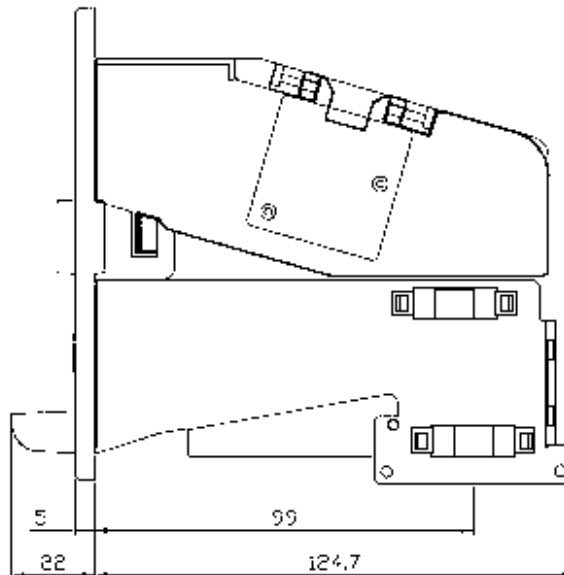
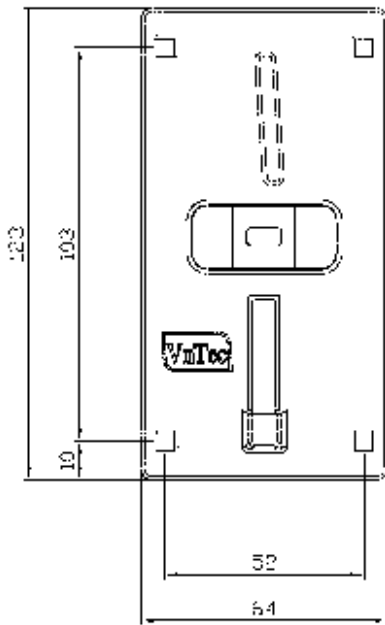
Generals:

1. VN-5 is a Multi-coin Coin Selector, accept 12 types of coin.
2. High performance and high accuracy. Work steadily in high temperature.
3. With a display, help you easily on site setting (TEACH new coins, change PRICE ...)

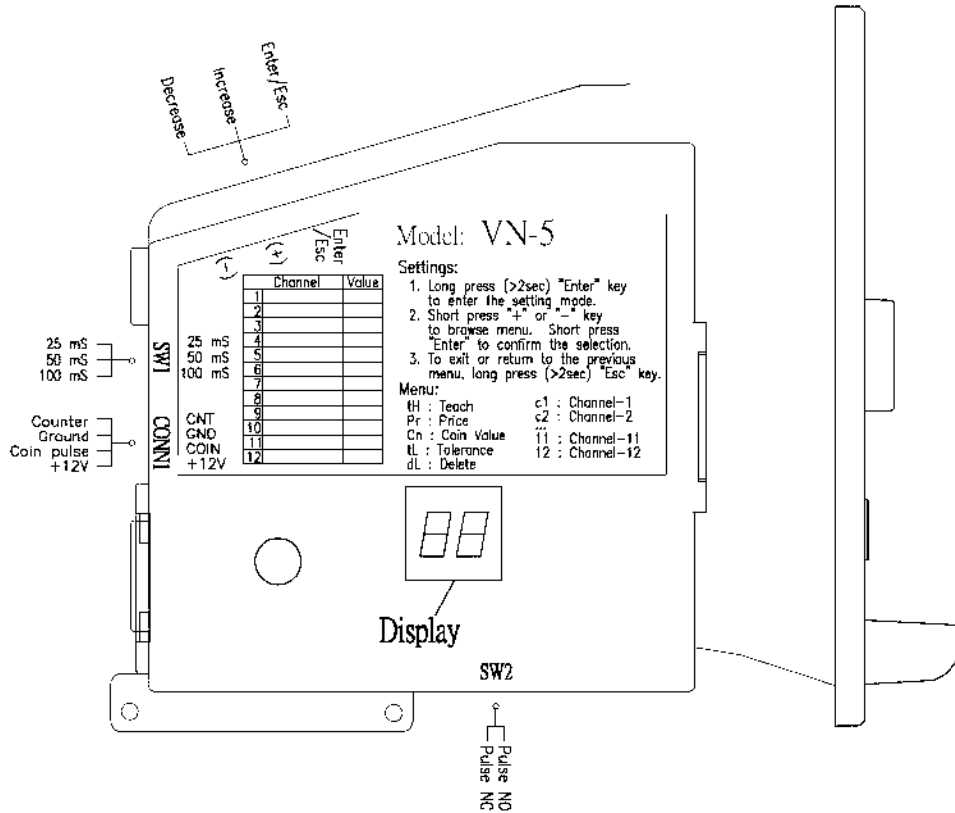
Specification:

1. Applied voltage: DC12V (10~16VDC).
2. Power consumption; Standby: 0.1A, Peak: 0.5A.
3. Working temperature: $-10^{\circ}\text{C} \sim +70^{\circ}\text{C}$.
4. Storage temperature: $-20^{\circ}\text{C} \sim +80^{\circ}\text{C}$.
5. Humidity: 30% ~ 85% (no condensation).
6. Coin diameter: 16mm~32.5mm.
7. Coin thickness: 1.0mm~3.4mm.

Installation Dimensions:



Switches and Wiring:



1. For switch SW2, select correct mode Normal Open (NO) or Normal Close (NC).
2. For switch SW1, select correct speed among 25mS, 50mS and 100mS by switch SW1 for fitting your machine.
3. Lines guide of 4 pins connector CONN1:

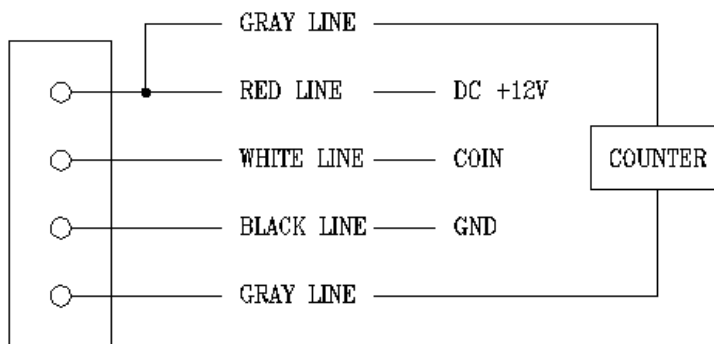
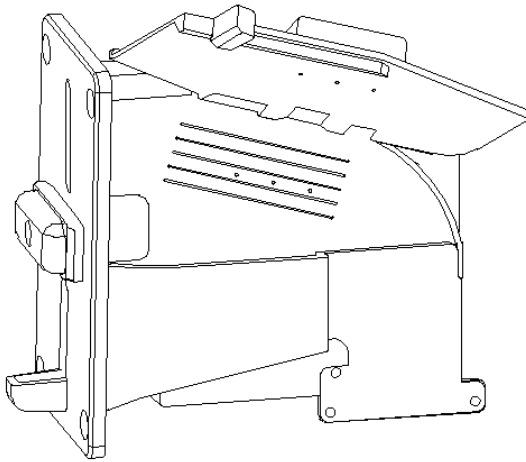


FIG.1 Lines guide of 4 pins connector.

Trouble shooting:

1. Coin stuck:

- (1) Swing and open the track plate (Max opening degree is about 90°).
- (2) Use a soft, dry cloth to clean the track.



2. Coin rejected:

- (1) Check the supplying power “DC12V”.
- (2) Does the VN-5 already set coins? => Teach coins!
- (3) Change the TOLERANCE to accept coin.
- (4) If still reject coins, send back to the original factory.

3. Incorrect Pulse:

- (1) Check if the switch (NO/NC) on the correct position.
- (2) Try to change SW1 (25mS/50mS/80mS) and find the speed fitting for the host machine.
- (3) If still sending the incorrect pulse, send back to the original factory.